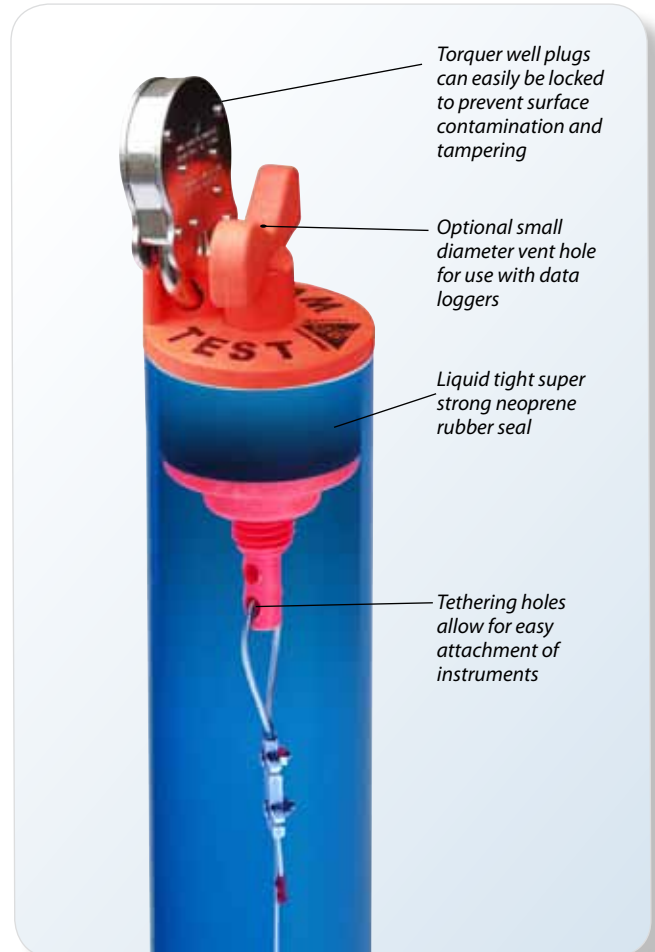


# Torquer lockable Well Plugs

Protect your monitoring boreholes from surface contamination and tampering

## Features

- Ingenious, reliable locking mechanism, no moving parts
- Bright highly visible safety colour
- Manufactured from an engineering grade polymer
- Light weight yet super strong
- Chemical and temperature resistant properties
- Comfort grip, easy on, easy off wing nut design
- High-Tech liquid tight seamless dual rubber gasket
- Superior design, plug will not separate in the well while removing
- No metal parts
- Instrument tethering attachment at base
- Easily locked with padlock
- Available in 11 diameters 13mm to 117mm
- Vented options



*Easily disassembled and reassembled in the field for total decontamination*



## Torquer lockable Well Plugs

Torquer high security locking well plugs are a simple, secure plug available in a wide range of diameters.

Torquer well plugs incorporate a simple but reliable locking mechanism with no moving parts. They are brightly coloured with a comfort grip using an "easy on", "easy off" wing nut design. The seals are formed from a dual rubber gasket which is liquid tight and super-strong.

Two instrument tethering eyes are included at the base of the plugs for suspending equipment.

Well plugs are constructed from a partially recycled plastic incorporated into a 33% glass filled Nylon body. The gasket is composed of neoprene.

### Vented option (available on request)

Plugs can be vented for use with dataloggers by the addition of a small diameter vent hole. Please be aware this does provide a small potential inlet for water if the borehole cap becomes flooded and vented caps should not be relied upon for permanently sealing a borehole.

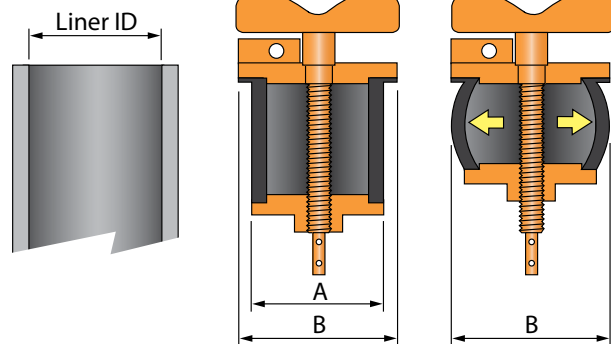
### Padlock (supplied separately)

Galvanised steel 'Old English' tamper-proof 4 lever all weather padlock. Sized to match Torquer Plugs. 'Keyed alike' available on request.



### Choose a Torquer Well Plug to match your borehole liner ID

Code	Nominal borehole lining dia. (inches)	Torquer Well Plug Diameter	
		A (mm)	B (mm)
TQ-050 *	0.5	13	20
TQ-075 *	0.75	17	25
TQ-100 *	1	24	32
TQ-125	1.25	31	42
TQ-150	1.5	38	47
<b>TQ-200</b>	<b>2</b>	<b>49</b>	<b>60</b>
TQ-250	2.5	57	69
TQ-300	3	72	88
<b>TQ-400</b>	<b>3.75</b>	<b>95</b>	<b>113</b>
TQ-410	4	101	120
TQ-500	5	119	139



**Sizes shown bold are stock items.**  
Other sizes are available to special order.  
All caps can be vented on request except those marked \*.  
All dimensions are approximate.

Dimension 'A' should be less than liner ID.  
When tightened, the rubber seal expands to seal against liner.  
Diameter 'B' is approximate limit of seal expansion.